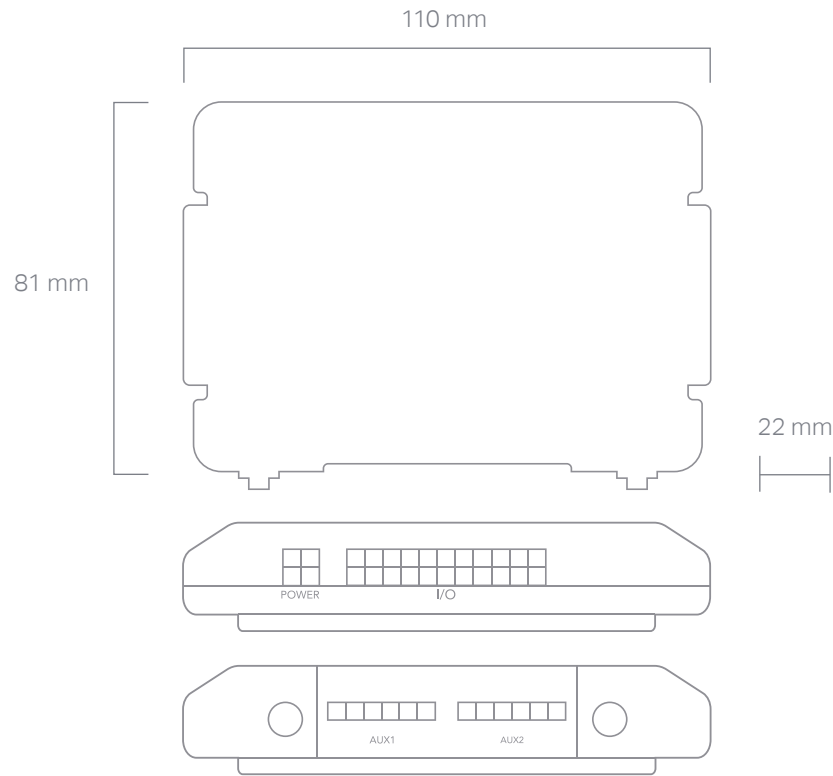


Jackal

The Jackal is focused on bringing visibility, safety, security and accountability to your fleet and drivers, in near-urban settings where cellular networks are generally known to be available.



Specifications

Weight:
113 g

Operating Temperature:
- 30°C to + 75°C

Internal backup battery

SMS commanding and Over the
Air updates

Self calibrating accelerometer

The Jackal brings visibility, safety, security and accountability to your fleet and drivers, through a comprehensive suite of sensors including driver identification, panic button, high sensitivity GPS location and speed, engine ignition sensing, a 3-axis accelerometer, a driving style feedback buzzer, and impact detection.

Data is buffered so that even if the cellular network is temporarily unavailable, it will be transmitted once the network connection is reestablished.

www.track24.com
sales@track24.com

ISO 9001:2008 Certified Quality Management System
ISO 27001:2013 Certified Information Security Management System