

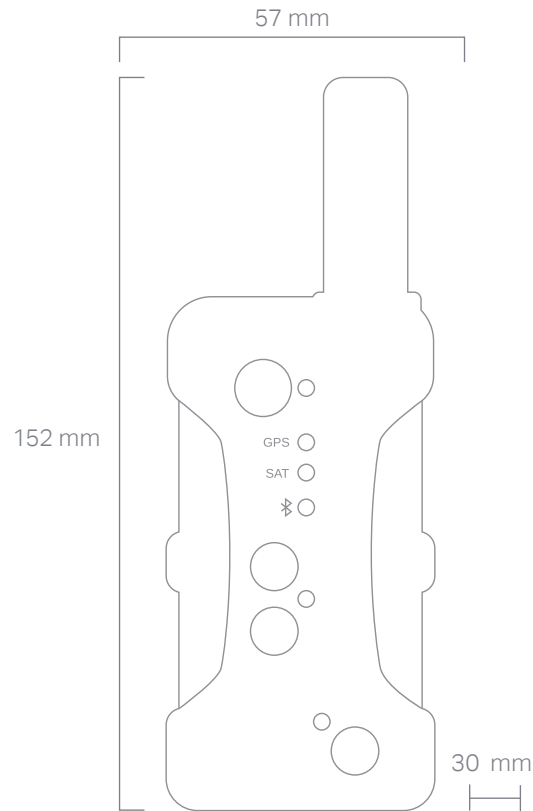
Robust satellite tracking device

---



# Echo

The Echo brings you secure, live tracking and alerts, with global coverage via the Iridium network.



The Echo is a secure tracking and safety device that works globally on the Iridium network. It features an emergency alert, check in and one preset message.

It can be hand-carried or deployed as a discrete vehicle tracker, and is water resistant and dust proof.

## Specifications

Weight:  
150 g

Operating Temperature:  
- 20°C to + 55°C

Ingress Protection:  
IP68

Security:  
AES - 256 encryption

Battery Life:  
**4 days**  
continuous operation  
(15 min reporting rate)

**15 hours**  
continuous operation  
(1 min reporting rate)

[www.track24.com](http://www.track24.com)  
[sales@track24.com](mailto:sales@track24.com)

ISO 9001: 2008 Certified Quality Management System  
ISO 27001:2013 Certified Information Security Management System